



**ZANOTTI Spa**  
Via M.L. King, 30  
46020 - Pegognaga (MN) - ITALY  
Tel. +39 0376 5551  
Fax +39 0376 536554  
info@zanotti.com

## Technical specifications

Version 1.35

Model:

**MGM10702Y**

Class:

**Uniblock GM**

### Technical data

Characteristics	M.U.	
Working temperature	°C	10 ÷ -5
Starting mode		Direct
Voltage	Volt-Ph-Hz	230/1~/50
Rated input	kW	0,80
Rated input	Amp*	4,90
Peak current	Amp	32,0
Max current	Amp	8,3
Refrigerant		R290
Defrost		Hot gas
Mass	Kg	56

### Compressor

Type		Hermetic
Nominal power	kW	0,56

### Condenser

Air flow	m³/h	600
----------	------	-----

### Evaporator

Air flow	m³/h	600
Air throw	m**	4

PED Category		0
--------------	--	---



### Tabella Potenze

Tc °C	Ta °C	P watt	P Kcal/h	V100 m³	V80 m³	V60 m³
	20	1671	1437	16.2	14.4	13.5
	25	1592	1368	14.4	13.5	11.7
10	30	1508	1296	13.5	12.6	10.8
	35	1422	1224	12.6	11.9	10.8
	40	1337	1150	11.7	10.8	9.9
	45	1255	1080	10.8	9.9	9
	20	1494	1285	13.5	12.6	10.8
	25	1422	1224	12.6	11.7	10.8
5	30	1350	1161	11.7	10.8	9.9
	35	1274	1096	10.8	9.9	9
	40	1198	1031	9.9	9	8.1
	45	1122	964	9	8.1	7.4
	20	1323	1138	11.7	10.8	9.9
	25	1257	1080	10.8	9.9	9
0	30	1190	1024	9.9	9	8.1
	35	1122	964	9	8.1	7.4
	40	1053	906	8.2	7.5	6.8
	45	984	846	7.5	6.8	6.3
	20	1152	991	9.9	9	8.1
	25	1091	938	8.7	7.9	7.2
-5	30	1029	885	8	7.2	6.6
	35	967	831	7.3	6.7	6.1
	40	905	778	6.6	6	5.4
	45	842	724	6	5.4	5

\* When normally run: 0 ÷ +30°C

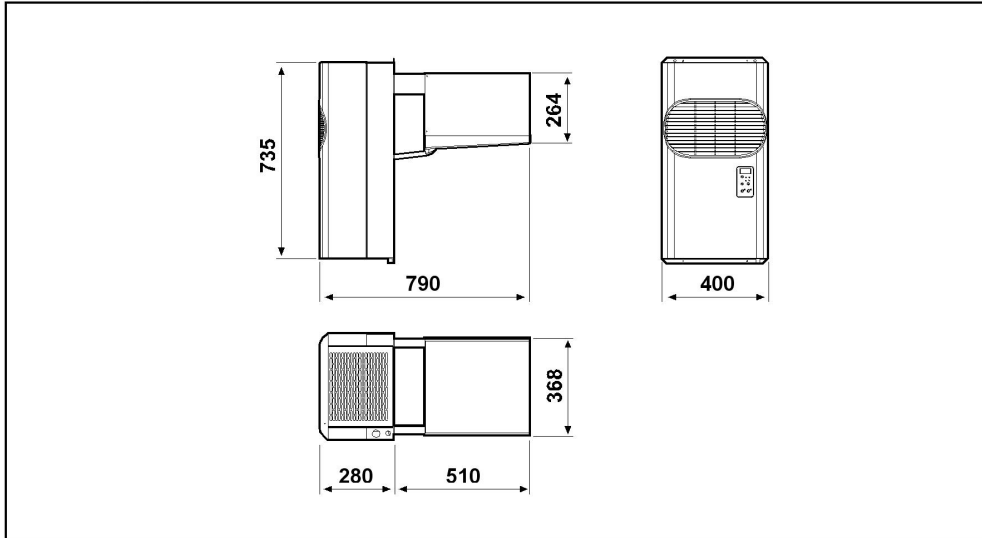
\*\* Use air throw as a base. Air throw is affected by many factors such as height of room, product storage, location of evaporator, etc.

Tc: Coldroom temp. - Ta: External temp.

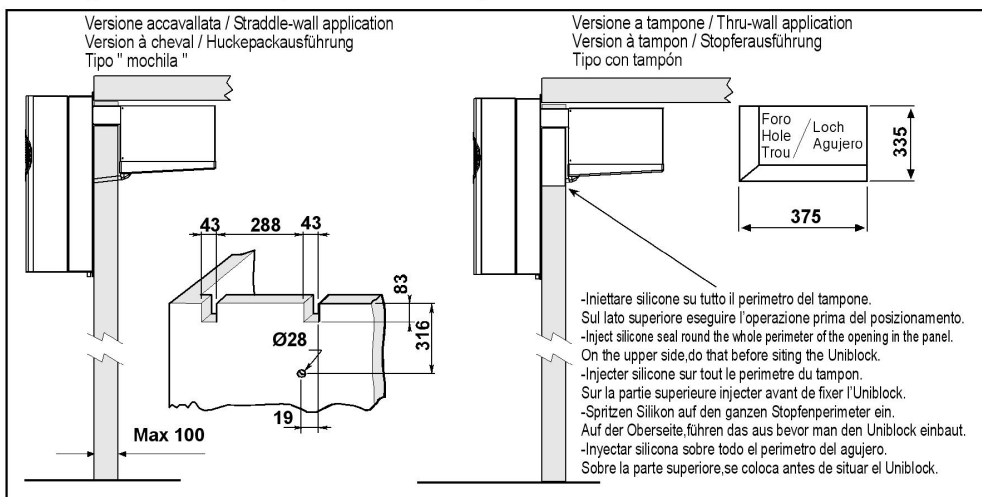
P: Refrigerant capacity - V: Recommended cold-room volume

Dimensioni - Dimensions - Dimensions  
Abmessungen - Dimensiones

**GM1**

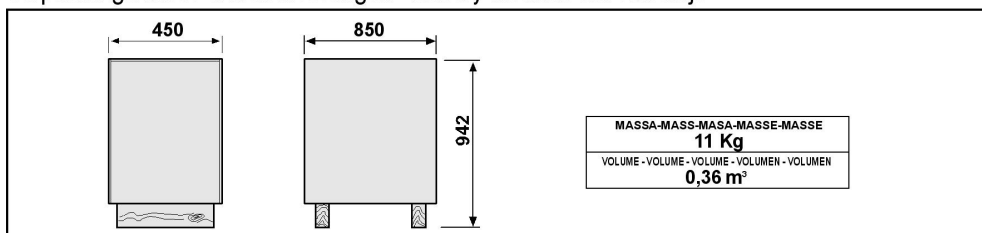


Schema di montaggio - Mounting scheme - Schema de montage  
Montageschema - Esquema de montaje



- \* Raccomandazioni in sede di installazione e per il controllo fornite sul manuale di installazione
- \* To be advised at time of order for factory installation and operating instructions
- \* Recommendations au moments d'installations et pour le contrôle fournis sur le manuel d'installation
- \* Empfehlungen für die Installationsphase und zur Kontrolle, die im Handbuch zur Installation enthalten sind
- \* Por cuanto respecta a recomendaciones de instalación y control ver manual de instalación

Massa e misure imballi - Packing mass and dimensions - Masse et dimensions emballages  
Verpackungsmasse und-abmessungen - Masa y medidas del embalaje



**ZANOTTI S.p.A.**